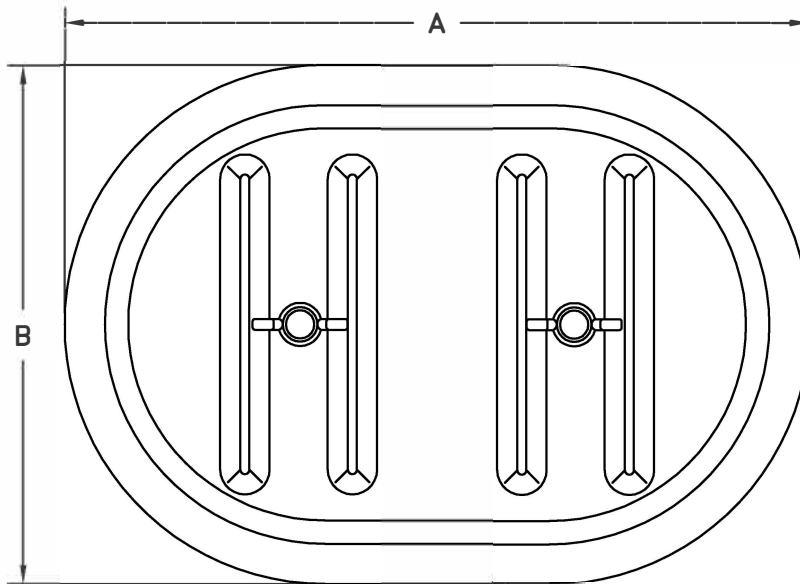


ACCESS DOOR

Sandwich Style Access Door

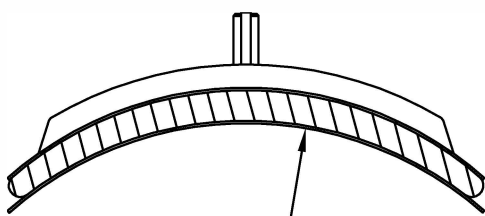
For Round High Temperature Single Wall Ductwork

DSA HT

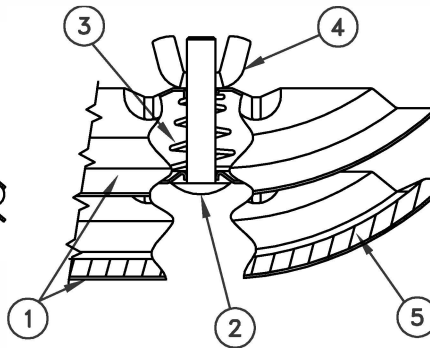


SPECIFICATIONS:

1. Formed 16 gauge metal plates
2. Steel bolt
3. Steel compression springs
4. Steel wing nut
5. High temperature ceramic fiber rope gasket



C
Duct Diameter.
(Must note duct size when ordering)



NOTES:

1. Available in black iron. Contact factory for availability of other materials.
2. For applications up to 2000° F.
3. Self adhesive template included for accurate cut-out.
4. Reference chart for sizes.
5. Order door for each duct size.

DOOR SIZES AVAILABLE					
8 X 4		10 X 6		16 X 12	
A	B	A	B	A	B
8.53	VARIES	10.40	VARIES	16.38	VARIES
C		C		C	
4 - 28		5 - 30		12 - 60	

JOB NAME: _____
 LOCATION: _____
 ARCHITECT: _____
 ENGINEER: _____
 CONTRACTOR: _____

SUBMITTED BY: _____

MILCOR

4460 44th Street SE, Suite F • Grand Rapids MI 49512
 T (800) 624-86422 • F (855) 549-2674 • www.milcorinc.com