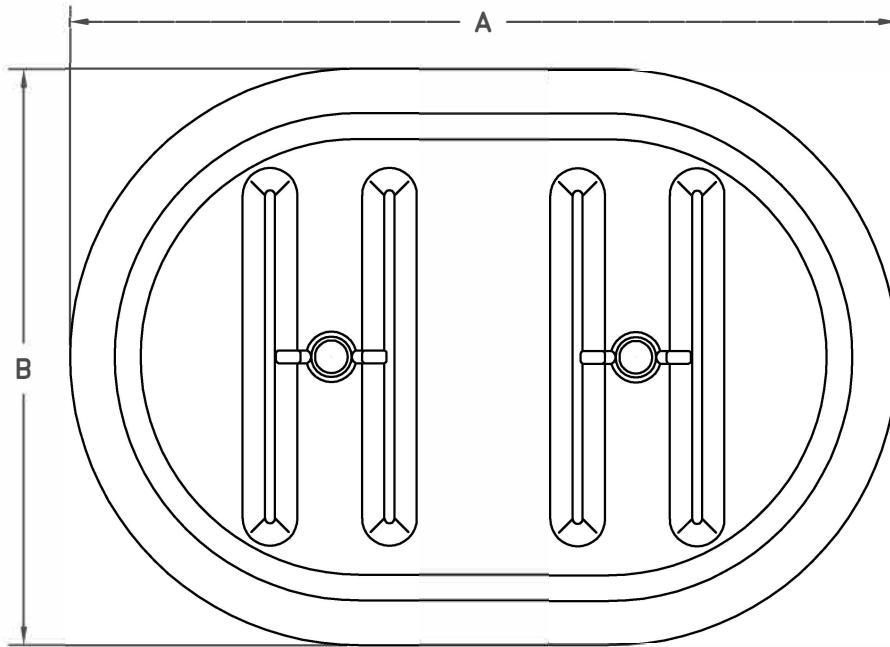


ACCESS DOOR

Sandwich Style Access Door

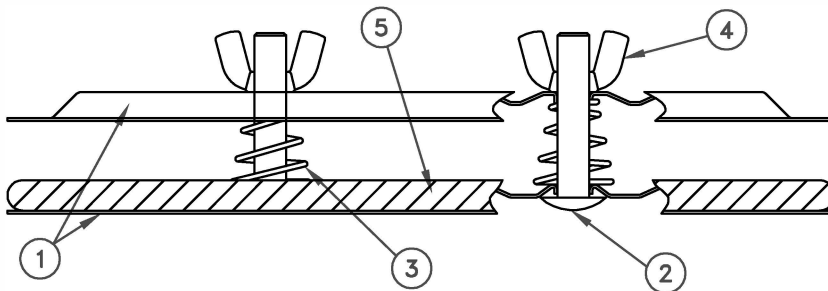
For Flat High Temperature Single Wall Ductwork

DSA HT



SPECIFICATIONS:

1. Formed 16 gauge metal plates
2. Steel bolt
3. Steel compression springs
4. Steel wing nut
5. High temperature ceramic fiber rope gasket



NOTES:

1. Available in black iron. Contact factory for availability of other materials.
3. For applications up to 2000° F.
4. Self adhesive template included for accurate cut-out.
5. See chart for sizes.

DOOR SIZES AVAILABLE					
8 X 4		10 X 6		16 X 12	
A	B	A	B	A	B
8.53	4.53	10.40	7.25	16.38	12.56

JOB NAME: _____ LOCATION: _____ ARCHITECT: _____ ENGINEER: _____	SUBMITTED BY: _____
---	---------------------------------

MILCOR

4460 44th Street SE, Suite F • Grand Rapids MI 49512
 T (800) 624-86422 • F (855) 549-2674 • www.milcorinc.com