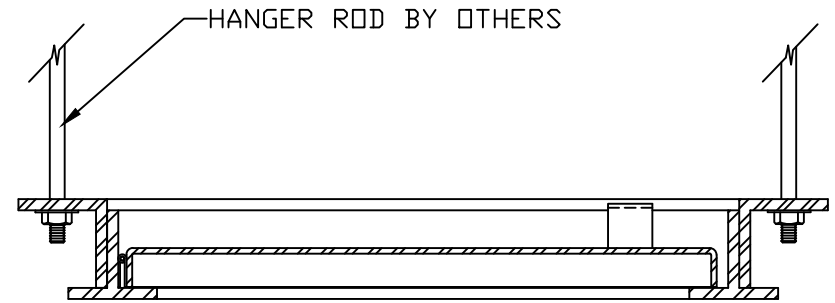
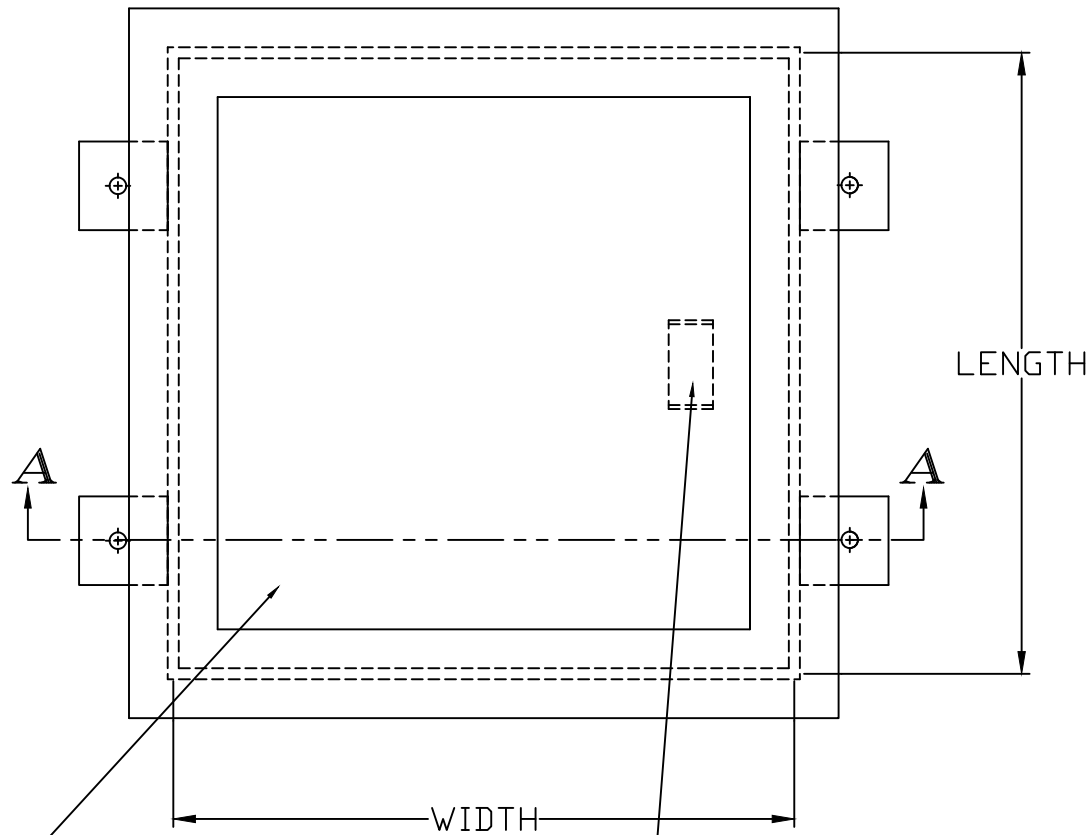
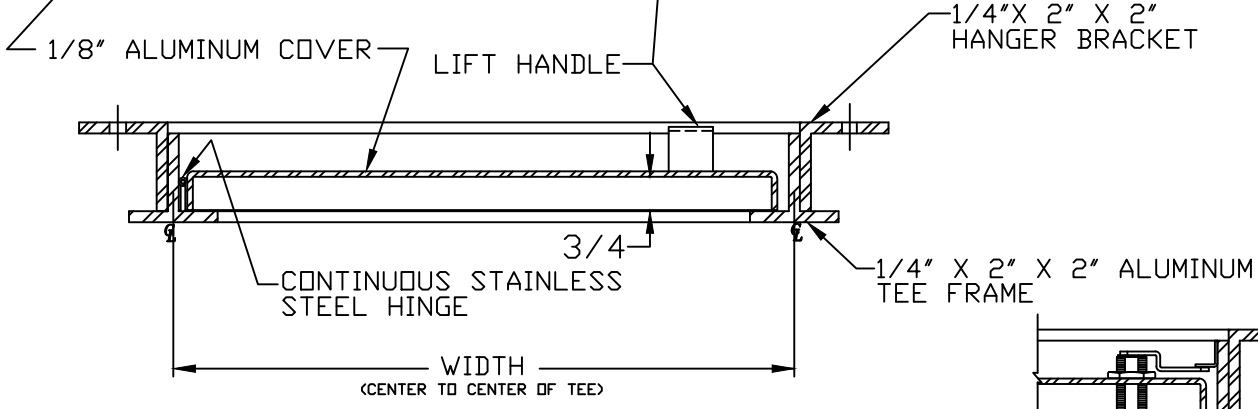


STANDARD SIZES and PRODUCT NUMBERS

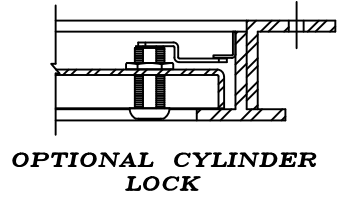
| STYLE | LEAF TYPE | DIMENSIONS CENTER TO CENTER OF ANGLES OR TEES | PRODUCT NUMBER |
|-------|-----------|---|----------------|
| CT-1 | SINGLE | 2'-6" X 2'-6" | 3520101 |
| CT-2 | SINGLE | 2'-6" X 3'-0" | 3520104 |
| CT-3 | DOUBLE | 2'-6" X 2'-6" | 3520107 |



Installation Detail



SECTION VIEW A-A



OPTIONAL CYLINDER LOCK

CT US - ACCESS DOOR

MATERIAL SCHEDULE

| QUANTITY | SIZE | COVER | FRAME |
|----------|---------|-------|-------|
| | W" X H" | | |

MILCOR

DURAVENT GROUP
28 W. Adams, Suite 1810
Detroit, MI. 48226
800 624-8642 (fax) 630-766-5259

**ALUMINUM DOORS FOR SUSPENDED CEILING
RECESSED - UPSWING**

| |
|----------|
| DEALER |
| PROJECT |
| LOCATION |
| ARCH. |
| CONT'D |

| | |
|-----------------|----------|
| DATE 02/10/2023 | DRAWN CD |
| REV | JOB NO. |
| | SHEET |