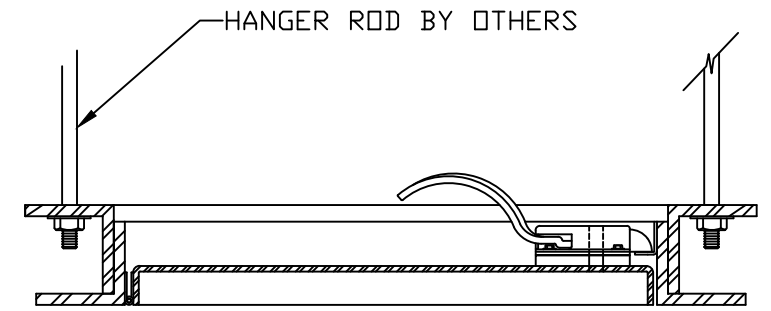
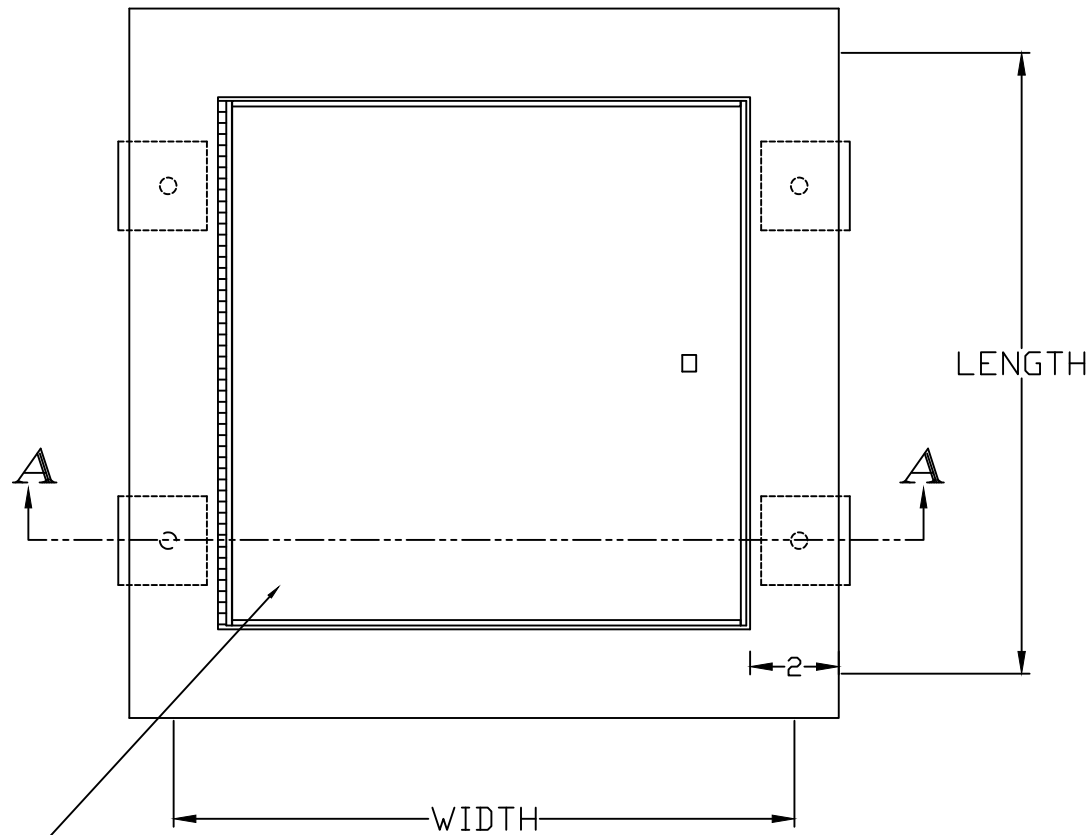
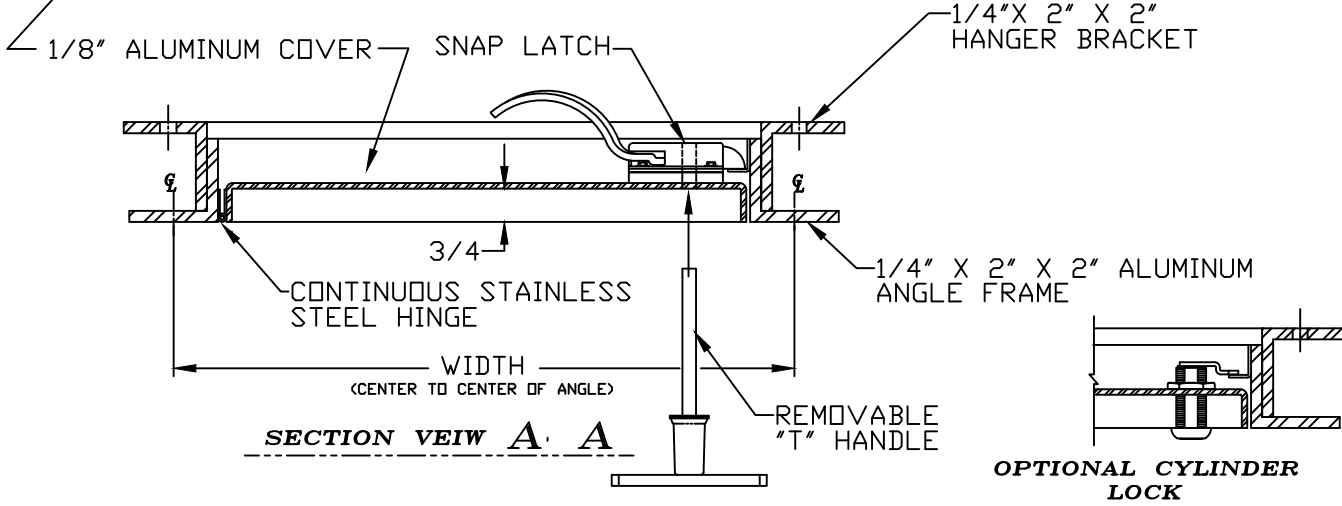


**STANDARD SIZES and PRODUCT NUMBERS**

STYLE	LEAF TYPE	DIMENSIONS CENTER TO CENTER OF ANGLES OR TEES	PRODUCT NUMBER
CT-1	SINGLE	2'-6" X 2'-6"	3520317
CT-2	SINGLE	2'-6" X 3'-0"	3520320
CT-3	DOUBLE	2'-6" X 2'-6"	3520325



**Installation Detail**



**CT DS - ACCESS DOOR**

**MATERIAL SCHEDULE**

QUANTITY	SIZE	COVER	FRAME
	W" X L"		

**MILCOR** DURAVENT GROUP  
 28 W. Adams, Suite 1810  
 Detroit, MI. 48226  
 800 624-8642 (fax) 630-766-5259

**ALUMINUM DOORS FOR SUSPENDED CEILING  
 RECESSED - DOWNSWING**

DEALER	
PROJECT	
LOCATION	
ARCH.	
CONT'D	
DATE 02/10/2023	DRAWN CD
REV	JOB NO.
	SHEET