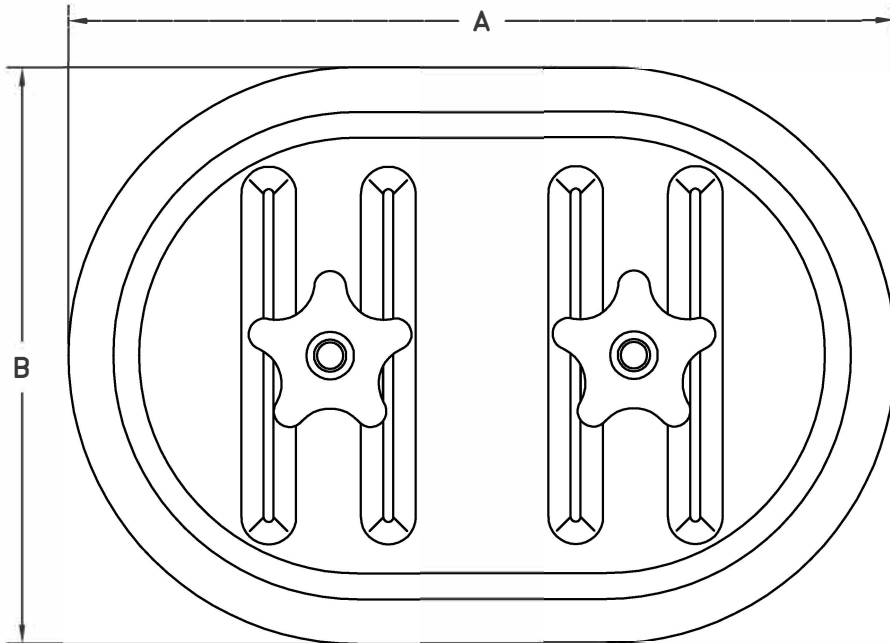


ACCESS DOOR

Sandwich Style Access Door

For Flat Double Wall Ductwork

DSA DW

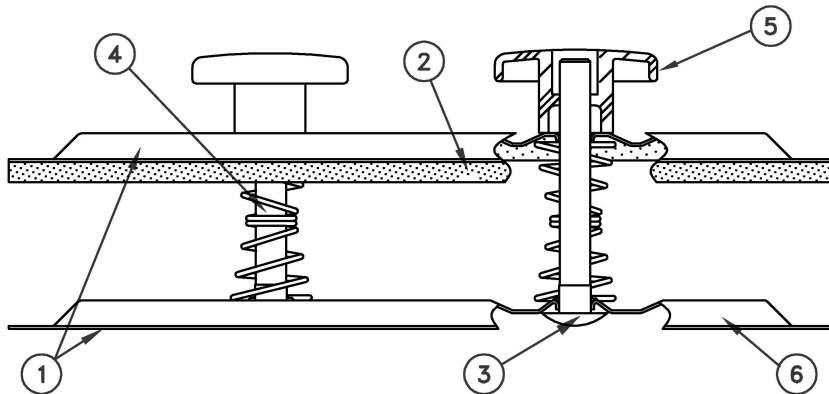


SPECIFICATIONS:

1. Formed 20 gauge metal plates
2. Polyfoam insulation
3. Steel bolt
4. Steel compression springs
5. Polypropylene knobs with metal inserts
6. Closed cell neoprene gasket

NOTES:

1. 10x6 and 16x12 are available in the following materials:
 - Galvanized
 - Stainless Steel
 - Aluminum
2. 8x4 is available in Galvanized
3. Contact factory for availability of other materials.
4. Self adhesive template included for accurate cut-out.
5. Bolt length is increased for easy installation.
6. Tested to 20" S.P. with minimal leakage.
7. Reference chart for sizes.
8. Maximum 1" duct width.



DOOR SIZES AVAILABLE

8 X 4		10 X 6		16 X 12	
A	B	A	B	A	B
8.53	4.53	10.40	7.25	16.38	12.56

JOB NAME: _____
 LOCATION: _____
 ARCHITECT: _____
 ENGINEER: _____
 CONTRACTOR: _____

SUBMITTED BY: _____